

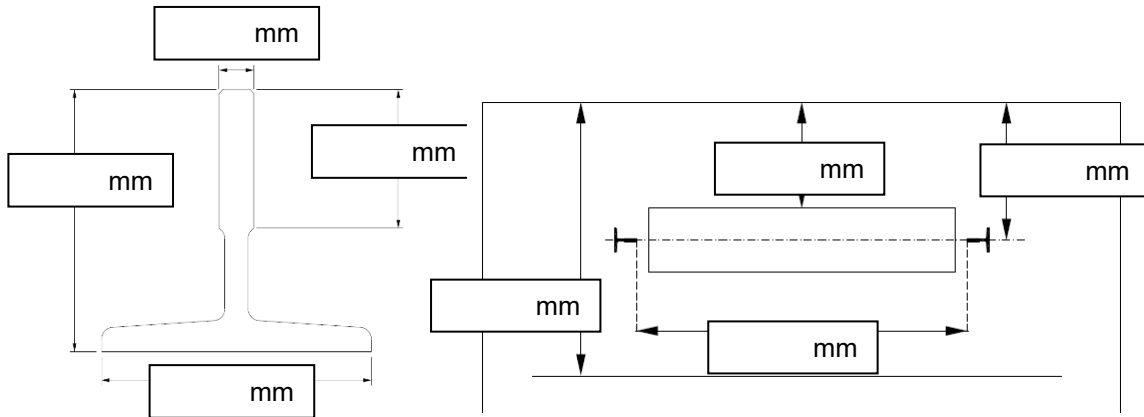


**Modernisation data form:
Counterweight and filler weights**

Client Name: _____
Reference: _____
Date: _____

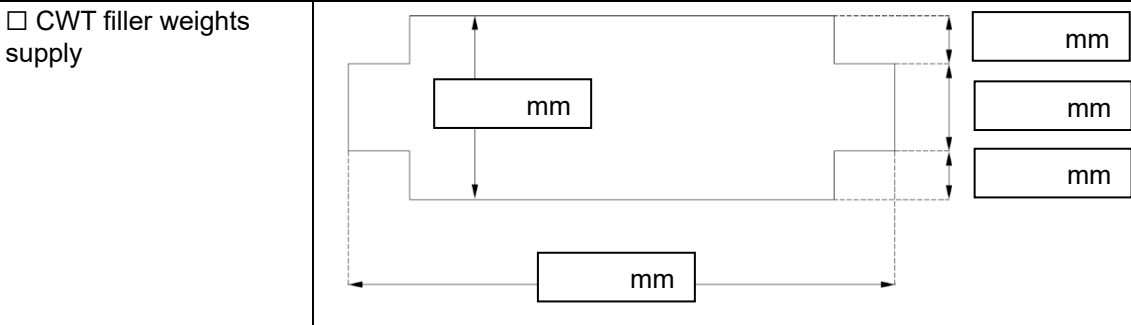
Data COUNTERWEIGHT

Counterweight: _____ kg Speed: _____ m/s Roping: 1:1 2:1
 DBG: _____ mm Frame height: _____ mm Guide thickness: _____ mm
 N° of ropes: _____ ud Ø Ropes: _____ mm Ø Pulley: _____ mm (2:1)



Rope anchorage Counterweight protective screen Oilers
 Buffer – Stool height: _____ mm Rollers (on request)

Safety gear Define sliding area in existing guide (minimum 20 mm): _____ mm
 Actuation: Breaking ropes OSG
 Type: Instant Progressive



Remarks /sketch (Please, add any necessary features not mentioned above)